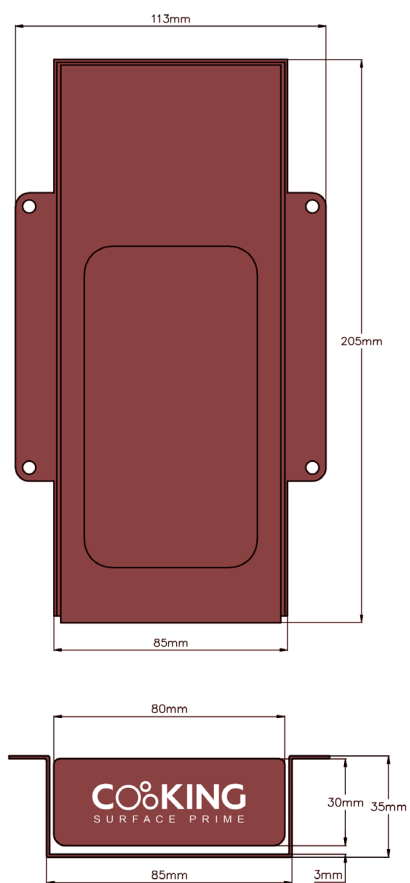


DIMENSIONS:



NOTE: If the Push Control does not require installation directly on the porcelain or you need to adjust its height, you can adjust it by placing the appropriate size wooden slats under the countertop, and screwing the system directly to the slats through the holes provided in the countertops contact wings.

SYSTEM INSTALLATION
MANUAL

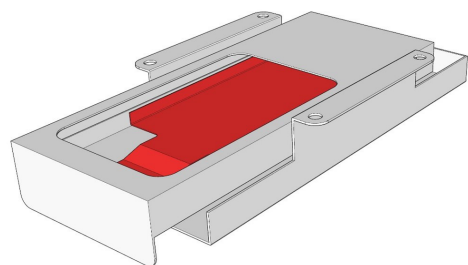
PUSH CONTROL
COOKING



COOKING
SURFACE PRIME

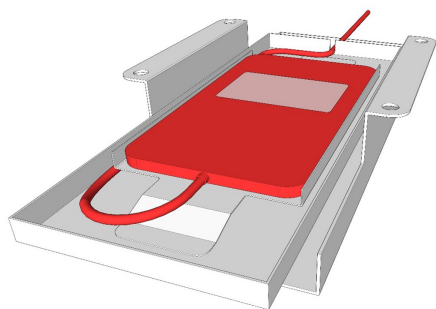
cookingsurface.it

11 Place the transparent double-sided tape at the base of the support surface of the control as shown in **figure 1**.



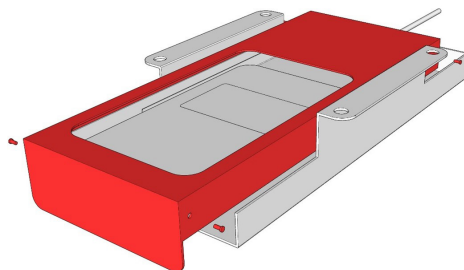
eğ φ4R 11

11 Present the Cooking Surface induction hob control on the support surface, passing the cable through one of the sides of the hob, and taking it out through the opening on the back. See **figure 2**.



eğ φ4R 11

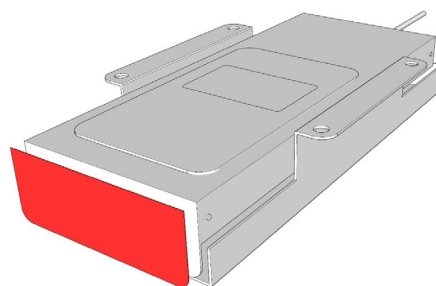
11 Place the upper cover of the Push Control and screw in the four supplied side screws as shown in **figure 3**.



eğ φ4R 11

11 1 Remove the protective paper from the double-sided tape in point 1 and fix the control in its correct position.

11 If you want to use one of the supplied trims, remove the paper from the sticker and place it on the front panel of the system as shown in **figure 4**.

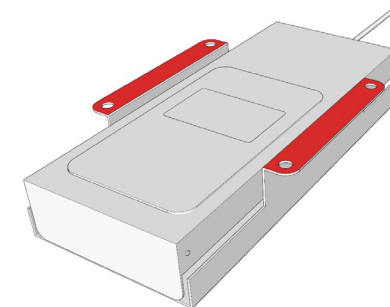


eğ φ4R 11

1 11 Clean the lower part of the worktop where the Push Control will be installed with solvent to improve the grip of the double-sided tape strips.

1 11 Present the Push Control under the worktop and verify that the system is extracted correctly and is perfectly centered and flush with the hole in the profile, furniture or mitered edge made for its purpose. Mark its outline on the lower part of the porcelain tile with a marker to have the reference of the correct location.

1 11 To finish, place the supplied double-sided tape strips on the contact fins as shown in **figure 5**, and fix them to the worktop starting from the marks previously made for reference.



eğ φ4R 11